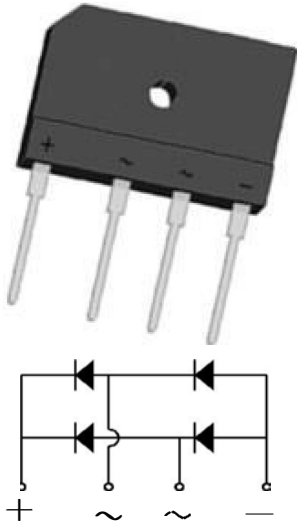


Low VF Bridge Rectifiers



Features

- Glass Passivated Chip Junction
- Low IRRM
- Low VF
- High VRRM

Benefits

- Case: GBJ
- Terminals: Solderable Per MIL-STD-750
- Reduced power loss and switching transistor
- Reduced snubbing

Maximum Ratings and Electrical characteristics

Ratings at 25 °C ambient temperature unless otherwise specified.

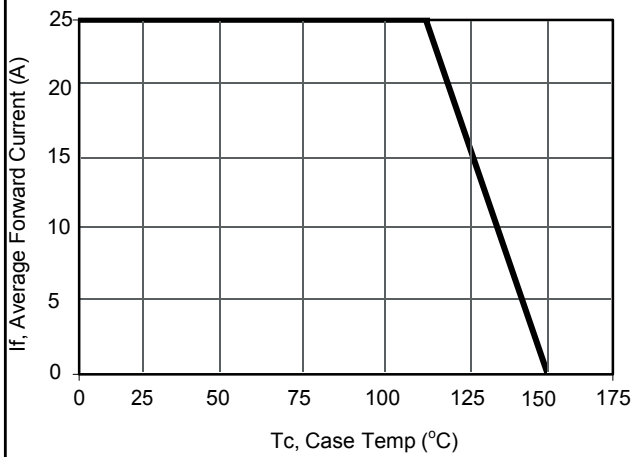
Single phase half-wave 60 Hz, resistive or inductive load, for capacitive load current derate by 20 %.

Parameter	Symbols	GBJ2508L	Units
Maximum Repetitive Peak Reverse Voltage	VRRM	800	V
Maximum RMS voltage	VRMS	560	V
Maximum DC Blocking Voltage	VDC	800	V
Average Rectified Output Current	I_o	25.0	A
Peak Forward Surge Current 8.3 ms Single Half Sine Wave Superimposed on Rated Load (JEDEC Method)	IFSM	300	A
Maximum Forward Voltage at 12.5 A	VF	0.95	V
Maximum DC Reverse Current @TA=25 °C at Rated DC Blocking Voltage @TA=125 °C	IR	10 500	μA
Typical Junction Capacitance (Note1)	Cj	25	pF
Operating and Storage Temperature Range	Tj, Tstg	-55 ~ +150	°C

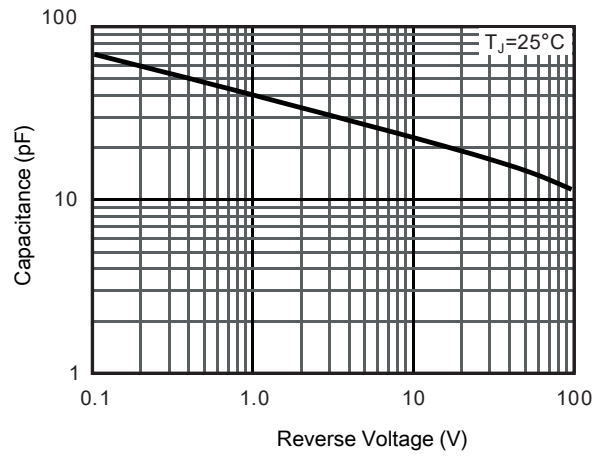
Note: 1. Measured at 1MHz and applied reverse voltage of 4 VDC.

2. Mounted on glass epoxy PC board with 4 × 1.5' × 1.5' (3.81 × 3.81 cm) copper pad

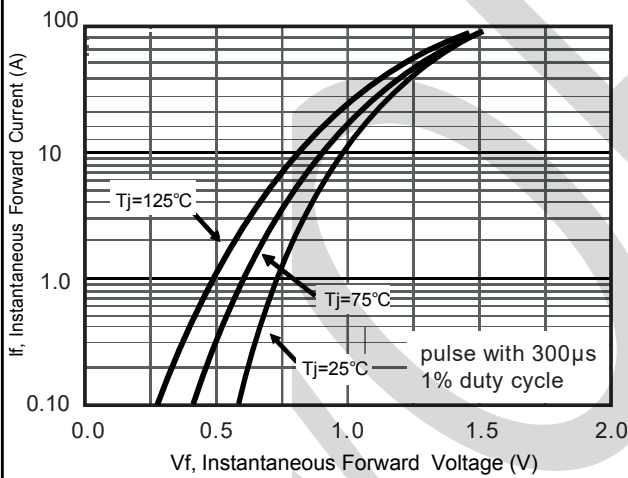
RATINGS AND CHARACTERISTICS CURVES (TA = 25 °C unless otherwise noted)



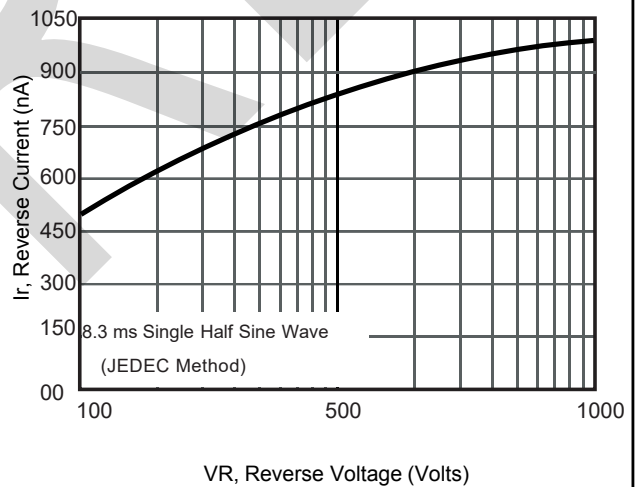
Current Derating, Case



Typical Junction Capacitance



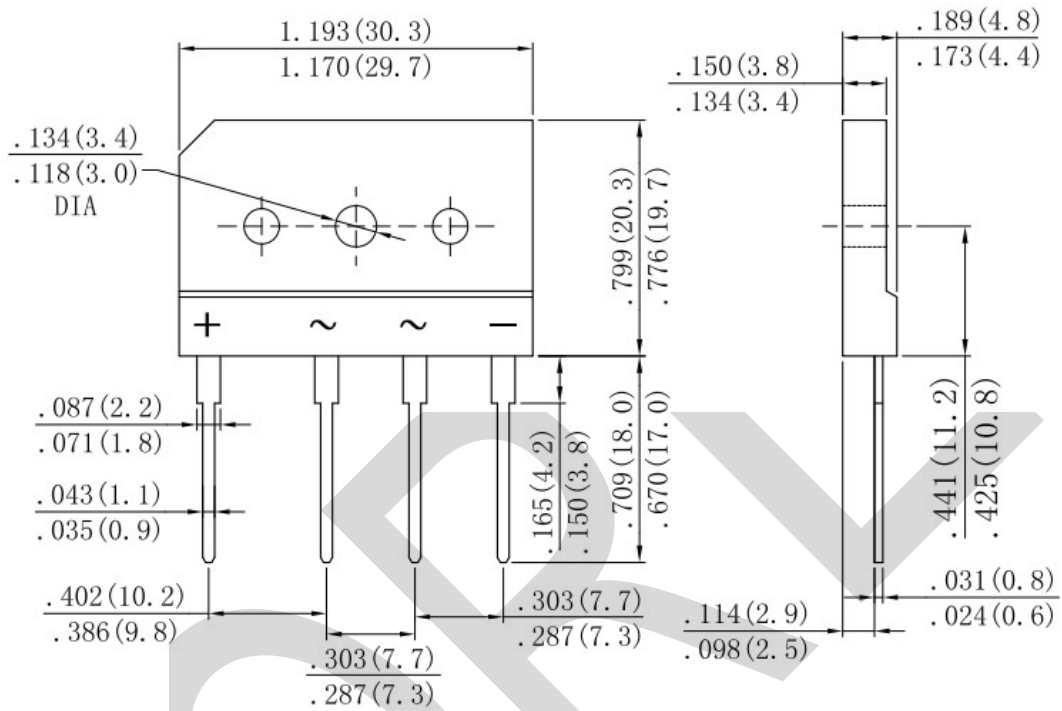
Typical Forward Voltage



Typical Reverse Current

PACKAGE OUTLINE DIMENSIONS

Note:unit In(mm)



Dimensions in inches and(millimeters)