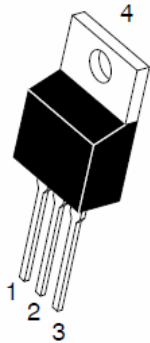
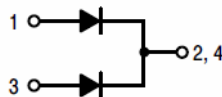
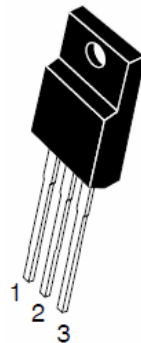


## Superfast Recovery Rectifier

**TO-220AB**  
**MUR1080CT**



**ITO-220AB**  
**MUR1080CTF**



### Features

- Low forward voltage drop
- Low leakage
- High current capability
- Super fast switching speed
- High forward surge capability
- High reliability.

### Mechanical Data

- Epoxy: UL 94V-O rate flame retardant
- Lead: lead solderable per MIL-STD-202, method 208 guaranteed
- Polarity: Color band denotes cathode end
- Mounting position: Any
- Weight: 0.054ounce, 1.549gram

Parameter	Symbols	MUR1080CT	MUR1080CTF	Units
Maximum Repetitive Peak Reverse Voltage	VRRM	800		V
Maximum RMS voltage	VRMS	560		V
Maximum DC Blocking Voltage	VDC	800		V
Maximum Average Forward Rectified Current	I(AV)	10.0		A
Reverse Recovery Time. IF=0.5A,IR=1A,IRR=0.25A	Trr	35		ns
Peak Forward Surge Current 8.3 ms Single Half Sine Wave Superimposed on Rated Load (JEDEC Method)	IFSM	150		A
I <sup>2</sup> t rating for fusing ( 1ms< t < 8.3ms)	I <sup>2</sup> t	93.3		A <sup>2</sup> S
Maximum Forward Voltage at 5A and 25 °C	VF	2.0		V
Maximum DC Reverse Current @TA=25 °C at Rated DC Blocking Voltage @TA=100 °C	IR	5 250		μA
Typical Junction Capacitance (Note1)	Cj	50		pF
Operating and Storage Temperature Range	Tj, Tstg	-55 ~ +150		°C
Typical thermal resistance (Note 2)	RthJC	2.5	3	°C/W

Note: 1. Measured at 1MHz and applied reverse voltage of 4 VDC.

2. Thermal resistance junction to case, lead and ambient in accordance with JESD-51.

Unit mounted on glass-epoxy substrate with 1oz/ft<sup>2</sup> 20x20 mm copper pad per pin with heatsink

## RATINGS AND CHARACTERISTICS CURVES (TA = 25 °C unless otherwise noted)

FIG. 1 - TYPICAL FORWARD CURRENT DERATING CURVE

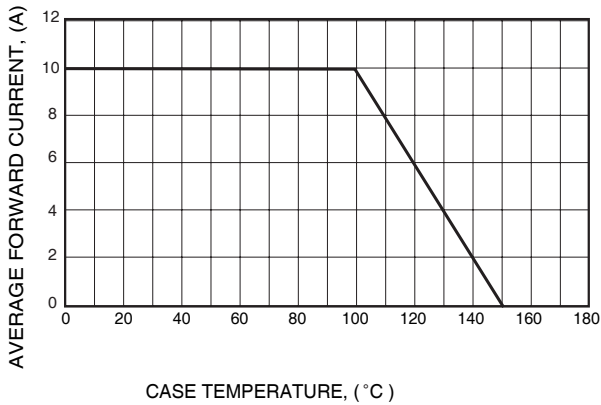


FIG. 2 - MAXIMUM NON-REPETITIVE FORWARD SURGE CURRENT

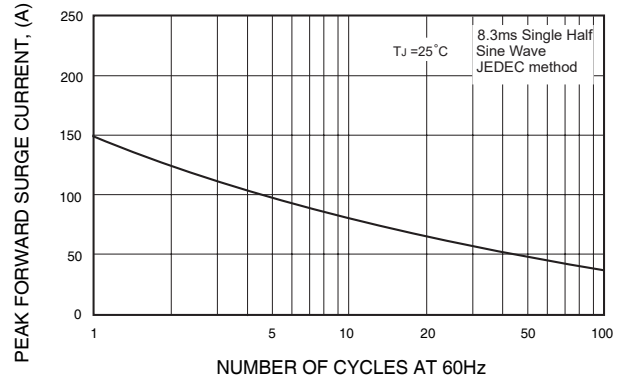


FIG. 3 - TYPICAL REVERSE CHARACTERISTICS

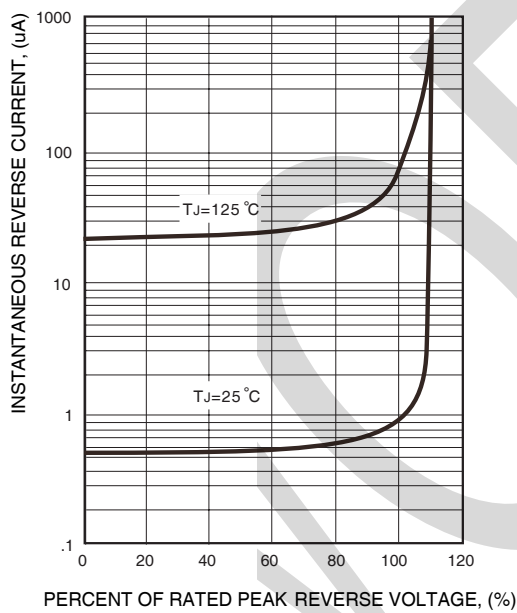
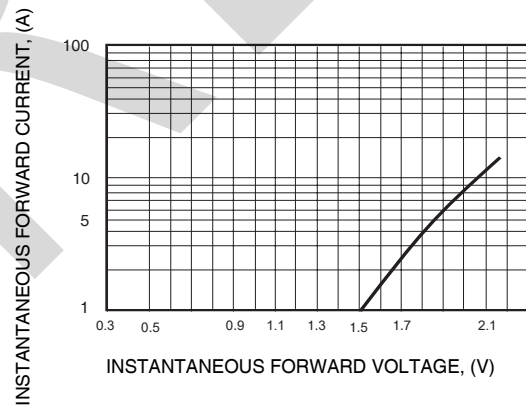


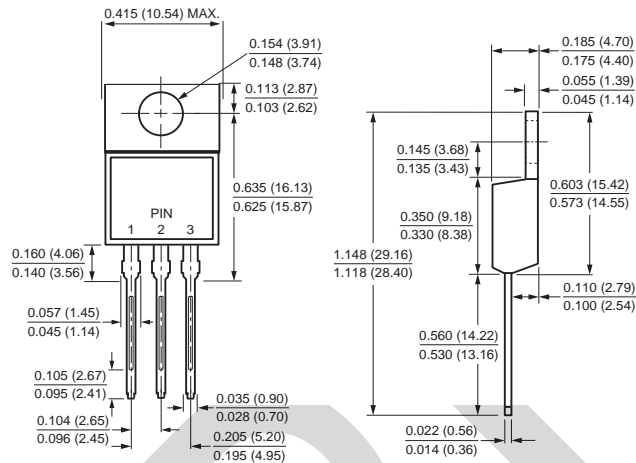
FIG. 4 - TYPICAL INSTANTANEOUS FORWARD CHARACTERISTICS



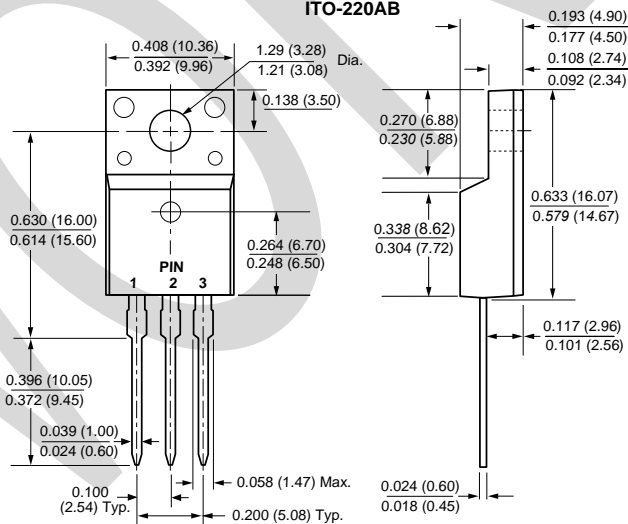
## PACKAGE OUTLINE DIMENSIONS

Note:unit In(mm)

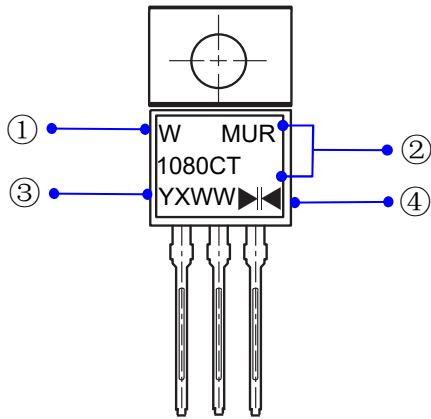
TO-220AB



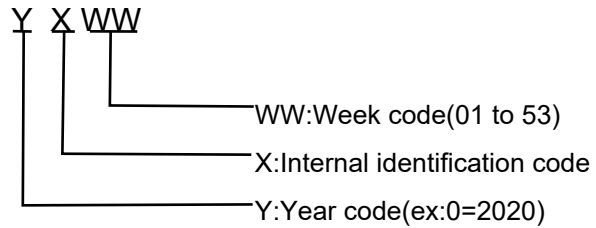
ITO-220AB



## Marking Information



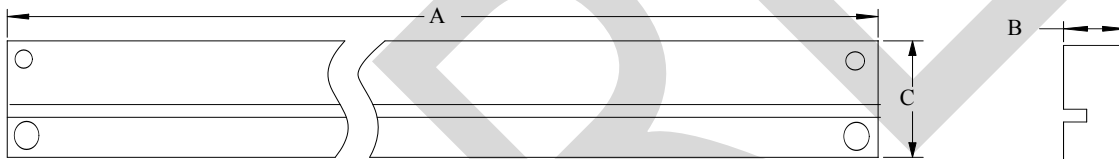
- ① W : Company's trademark
- ② Product model : MUR1080CT or MUR1080CTF
- ③ PDC information :



- ④  Double wafer

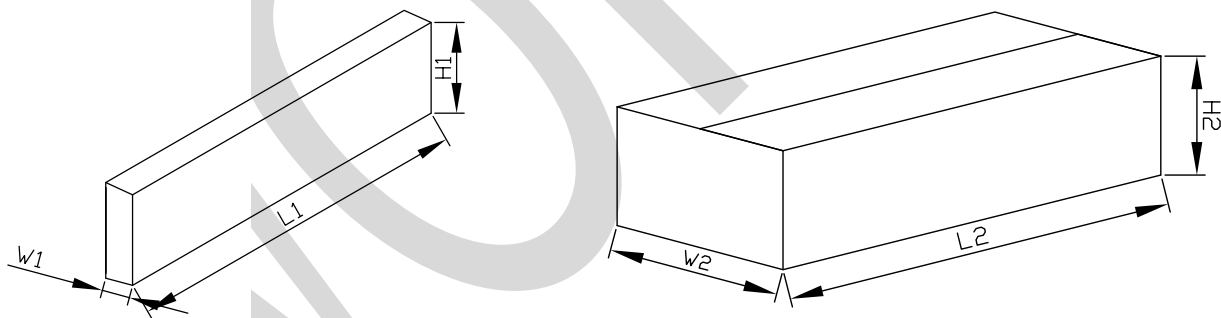
## Packaging Information

### 1. Tube Dimensions



### 2. Inside Box

### 3. Outside Box



## Packaging Information

NO	UNIT	Tube Dimensions			Inside Box			Outside Box		
		A	B	C	L1	W1	H1	L2	W2	H2
Size	mm	530	7	33	570	46	150	590	260	180
QTY	PCS	50PCS/Tube			Smallest package,1000PCS, 20 tube in total			5,000PCS/carton,5 boxes in total		
Note	Tolerance ≤20mm,±3mm; 21-100mm,±5mm; 101-500mm,±10mm									